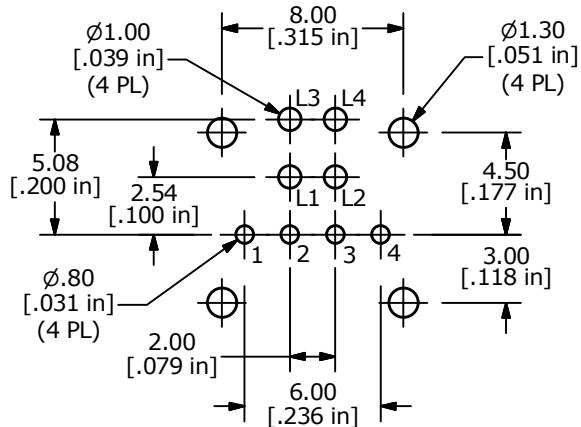
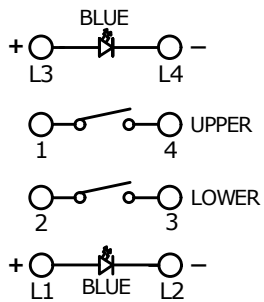


LED SPECS	UNITS	BLUE	BLUE
FORWARD CURRENT	mA	20	20
FORWARD VOLTAGE	V	3.3 TYP - 4.0 MAX	3.3 TYP - 4.0 MAX
LUMINOUS INTENSITY	mcd	650 TYP	650 TYP

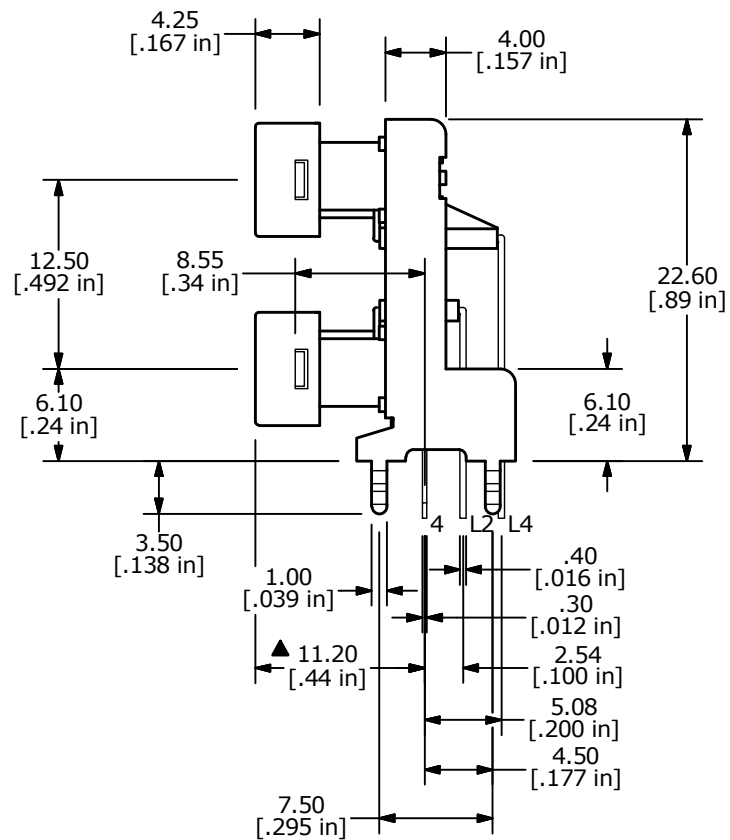
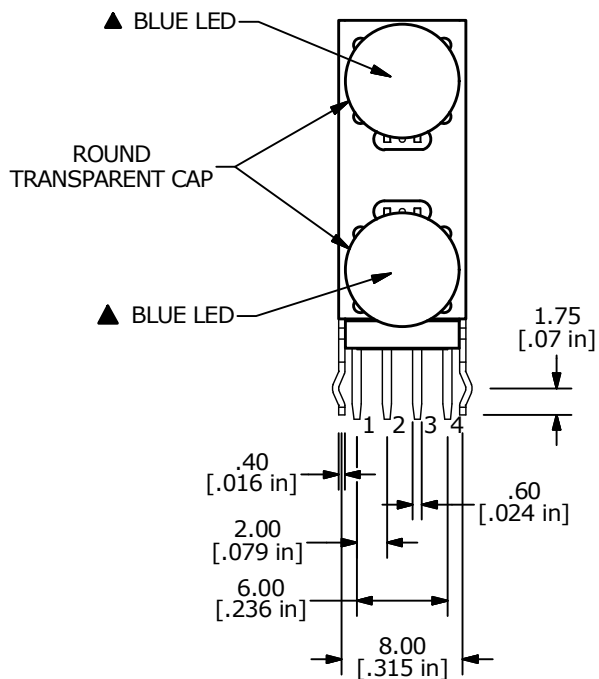
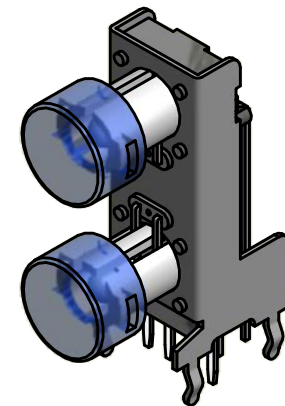
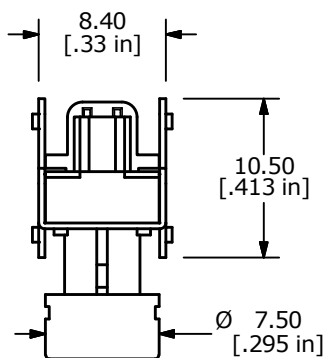


RECOMMENDED PCB LAYOUT



CIRCUIT DIAGRAM

- NOTES:
- ALL DIMENSIONS IN MM
 - GENERAL TOLERANCE: X.X = ±0.4
X.XX = ±0.25
 - TERM. NUMBERS FOR REFERENCE ONLY.
 - CONTACT RATING: 50mA @12VDC
 - TRAVEL: 0.25 ±0.1mm
 - CONTACT RESISTANCE: 100 Milli-Ohms Max.
 - OPERATING FORCE: 160 ±50gf
 - CONTACT MATERIAL: SILVER
 - MECHANICAL LIFE: 500,000 CYCLES
 - OPERATING TEMP: -40°C to 85°C
 - ▲ DENOTES CRITICAL PARAMETER.
 - PACKAGE: TRAY/ 84 PIECES PER
 - 2011/65/EU (ROHS) COMPLIANT



A	22788	RELEASE FOR PRODUCTION	4/5/17	MW
REV	PCR NO	DESCRIPTION	DATE	BY

TITLE TL3253BBBBBBBF160Q				
SCALE	DATE	DR	DWG	REV
2:1	3/30/2017	MW	B060019	A

THE INFORMATION CONTAINED IN THIS DOCUMENT IS PROPRIETARY TO E-SWITCH AND IS NOT TO BE COPIED OR TRANSFERRED